

# Electricals



## Switch panel

### Switch panel - Single engine

06323-ZW1-V04

- Includes 1 complete panel with start switch, emergency stop switch, oil pressure/engine temp alert lamps, warning buzzer, connecting wire and mounting hardware, choke switch

*Application BF40, BF50*



### Switch panel EFI - Single engine

06323-ZW5-643

- Includes 1 complete panel with start switch, emergency stop switch, oil pressure/engine temp alert lamps, warning buzzer, connecting wire and mounting hardware

*Application as from BF75 up to BF225*



### Switch panel - Dual engine

06323-ZW1-V14

- Includes 2 complete panels with start switches, emergency stop switches, oil pressure/engine temp alert lamps, warning buzzers, connecting wires and mounting hardware, choke switches

*Application BF40, BF50*



### Switch panel EFI - Dual engine

06323-ZW5-753

- Includes 2 complete panels with start switches, emergency stop switches, oil pressure/engine temp alert lamps, warning buzzers, connecting wires and mounting hardware

*Application as from BF75 up to BF225*



# Electricals



## Switch panel

### Switch plate

06200-ZV5-010AH

- Anodised aluminium plate allowing dash mounting of the ignition, choke and stop switches, the oil pressure/engine temp alert lamps and buzzer. Designed to accept components removed from Honda side mount remote control when installing top or panel mount controls



*Application as from BF25 up to BF225*

*Required part: 87120-ZW5-000 E.F.I. sticker plate*



# Electricals



## Wire harness

### Wire harness A

32540-ZV5-911

- Harness A: 7 foot (2.1m) long fused harness connecting tachometer, trim meter, light switch and harness B. If harness B is not used, an additional gauge can be connected to the unused terminal ends

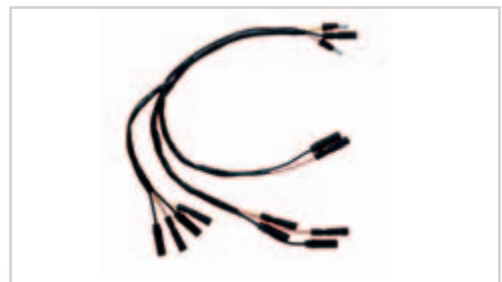


*Application as from BF8 up to BF225*

### Wire harness B

32550-ZV5-910

- Harness B: connects to Harness A, includes connections for the speedometer light, voltmeter and hourmeter



*Application as from BF8 up to BF225*

### Wire harness Deluxe

32550-ZW5-U00

- Connects to harness A, includes connections for the speedometer light, voltmeter and hourmeter Deluxe



*Application as from BF8 up to BF225*

### Instrument harness

32103-ZW7-000AH

- Intended for flat lens gauges: includes all connectors for 5 gauge set plus optional water pressure gauge light, also includes connectors for light switch, replaces harness A & B



*Application as from BF8 up to BF225*

# Electricals

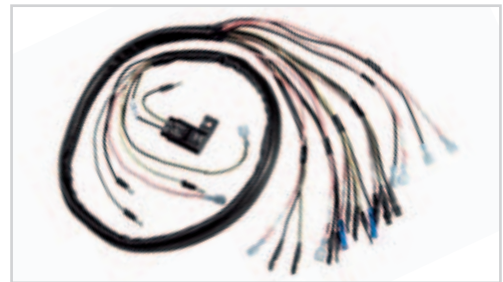


## Wire harness

### Instrument harness for fog resistance gauges

32200-ZW7-000AH

- Connects 5 gauges set plus optional water pressure gauge to main harness 137 cm long

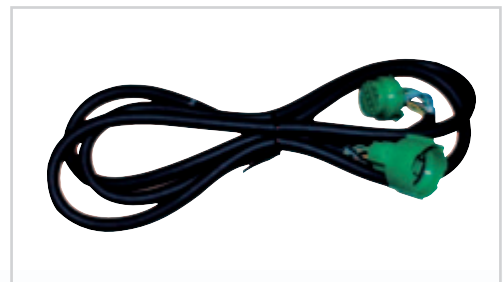


### Wire harness

32570-ZW1-900

- Extension of main 14 wire harness, does not extend 3 wire PGM-FI panel harness for BF115, BF130
- 7 foot (2.1 m) long, attaches at engine end

*Application as from BF25 up to BF225*



### Main wire harness

32580-ZY3-000

- 16.5 feet (5.0 m) long
- Main wire harness with 14 wire conductor, does not extend 3 wire PGM-FI panel harness, attaches the switch panel, remote control and engine

*Application as from BF25 up to BF225*



### Main wire harness

06325-ZW5-U00

- 16.5 feet (5.0 m) long
- Main wire harness with 17 wire conductor that connects the switch panel, remote control, PGM-FI panel lights and engine (includes the 3 main wires PGM-FI light panel harness)

*Application as from BF115 up to BF225*



# Electricals



## Wire harness

### Main wire harness

32581-ZW1-V00

- 30 feet (9.15 m) long
- Main wire harness with 14 wire conductor that connects the switch panel, remote control and engine (does not include 3 wires PGM-FI light panel harness) (heavier meters wire used)



Application as from BF25 up to BF225

### Main wire harness

32581-ZW1-V90

- 90 feet (27.45 m) long
- Main wire harness with 14 wire conductor that connects the switch panel, remote control and engine (does not include 3 wires PGM-FI light panel harness) (heavier meters wire used)



Application as from BF25 up to BF130

### Wire harness PGM-FI panel lights

32570-ZW5-U00

- 7 feet (2.1 m) long harness connecting 3 wire PGM-FI light panel to engine (harness only)



Application as from BF75 up to BF225

### Wire harness PGM-FI panel lights "Designed for digital gauges"

32185-ZY6-000

- 16.5 feet (5.0 m) long harness connecting 2 wire PGM-FI light panel to engine (harness only)



Application as from BF75 up to BF225



## Wire harness

### Wire harness PGM-FI panel lights

32185-ZY3-000

- 16.5 feet (5.0 m) long harness connecting 3 wire PGM-FI light panel to engine (harness only)

*Application as from BF115 up to BF225*



### Wire harness PGM-FI panel lights

32570-ZW5-U10

- 30 feet (9.15 m) long harness
- connecting 3 wire PGM-FI light panel to engine (harness only)

*Application as from BF75 up to BF225*



### Wire harness extension 8 plugs (4 at each end)

32570-ZW5-U20

- Ext. of the main 17 wire conductor harness, includes the 3 main wires PGM-FI light panel harness, 7 feet (2.1 m) long, attaches at remote control end

*Application as from BF75 up to BF225*



### Wire harness extension 4 plugs (2 at each end)

32570-ZW9-900

- Ext. of the main 8 wire conductor harness, 7 feet (2.1 m) long, attaches at engine end

*Application BF8, BF10*



# Electricals



## Wire harness

### Wire harness extension 4 plugs (2 at each end)

32570-ZY1-900

- Ext. of the main 10 wire conductor harness, 7 feet (2.1 m) long, attaches at engine end
- Connection can be used 2 times

*Application BF15, BF20*



### Wire harness extension 6 plugs (3 at each end)

32570-ZY3-900

- Ext. of the main 14 wire harness does not extend 3 wire PGM-FI light panel harness, 7 feet (2.1 m) long, attaches at remote control end.

*Application as from BF75 up to BF225*



# Electricals



## Battery

### Marine Batteries

- Totally maintenance free battery, cover heatsealed, no filler caps, no contamination, featuring a unique charge indicator



Amp/h	KG	Reference	BF 2	BF 4.5	BF 5	BF 8	BF 10	BF 15	BF 20	BF 25	BF 30	BF 40	BF 50	BF 75	BF 90	BF 115	BF 130	BF 135	BF 150	BF 175	BF 200	BF 225
44	12.1	31500-SK4-000HE	■	■	■	■	■	■	■	■	■	■	■	■	■	■	■	■	■	■	■	■
45	12.4	31500-ST3-100HE	■	■	■	■	■	■	■	■	■	■	■	■	■	■	■	■	■	■	■	■
45	12.4	31500-ST3-000HE	■	■	■	■	■	■	■	■	■	■	■	■	■	■	■	■	■	■	■	■
47	12.5	31500-SN7-E02	■	■	■	■	■	■	■	■	■	■	■	■	■	■	■	■	■	■	■	■
55	14.0	31500-SK4-100HE	■	■	■	■	■	■	■	■	■	■	■	■	■	■	■	■	■	■	■	■
55	14.9	31500-SN7-S02	■	■	■	■	■	■	■	■	■	■	■	■	■	■	■	■	■	■	■	■
65	16.4	31500-SV2-000HE	■	■	■	■	■	■	■	■	■	■	■	■	■	■	■	■	■	■	■	■
65	16.4	31500-SM4-010HE	■	■	■	■	■	■	■	■	■	■	■	■	■	■	■	■	■	■	■	■
70	16.9	31500-ZW0-000HE (*)	■	■	■	■	■	■	■	■	■	■	■	■	■	■	■	■	■	■	■	■
70	17.7	31500-SP0-010HE	■	■	■	■	■	■	■	■	■	■	■	■	■	■	■	■	■	■	■	■
70	17.7	31500-SP0-020HE	■	■	■	■	■	■	■	■	■	■	■	■	■	■	■	■	■	■	■	■
90	23.7	31500-ZW5-000HE	■	■	■	■	■	■	■	■	■	■	■	■	■	■	■	■	■	■	■	■

\* With plastic handle



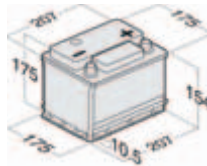


# Electricals

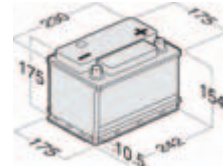


## Battery

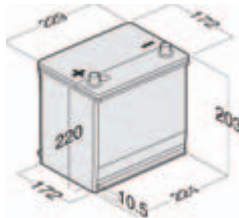
CATALOG REF 31500 SK4 000HE	
Ah	44
RES CAP MIN	75
<b>CCA EN - 18° C</b>	<b>420</b>
CCA BCI - 18° C	400
CCA IEC - 18° C	250
CCA DIN - 18° C	210
LOAD TEST AMPS	200
WEIGHT KG	12.10



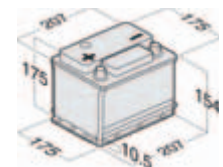
CATALOG REF 31500 SK4 100HE	
Ah	55
RES CAP MIN	90
<b>CCA EN - 18° C</b>	<b>510</b>
CCA BCI - 18° C	450
CCA IEC - 18° C	300
CCA DIN - 18° C	255
LOAD TEST AMPS	220
WEIGHT KG	14.00



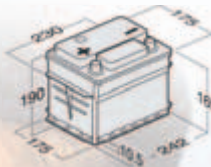
CATALOG REF 31500 SM4 010HE	
Ah	65
RES CAP MIN	110
<b>CCA EN - 18° C</b>	<b>480</b>
CCA BCI - 18° C	525
CCA IEC - 18° C	280
CCA DIN - 18° C	250
LOAD TEST AMPS	260
WEIGHT KG	16.40



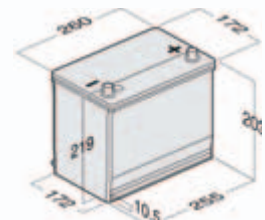
CATALOG REF 31500 SN7 E02	
Ah	45
RES CAP MIN	75
<b>CCA EN - 18° C</b>	<b>420</b>
CCA BCI - 18° C	400
CCA IEC - 18° C	250
CCA DIN - 18° C	210
LOAD TEST AMPS	200
WEIGHT KG	12.10



CATALOG REF 31500 SN7 S02	
Ah	55
RES CAP MIN	90
<b>CCA EN - 18° C</b>	<b>450</b>
CCA BCI - 18° C	400
CCA IEC - 18° C	275
CCA DIN - 18° C	255
LOAD TEST AMPS	200
WEIGHT KG	14.10



CATALOG REF 31500 SP0 010HE	
Ah	70
RES CAP MIN	125
<b>CCA EN - 18° C</b>	<b>600</b>
CCA BCI - 18° C	500
CCA IEC - 18° C	275
CCA DIN - 18° C	250
LOAD TEST AMPS	250
WEIGHT KG	17.65

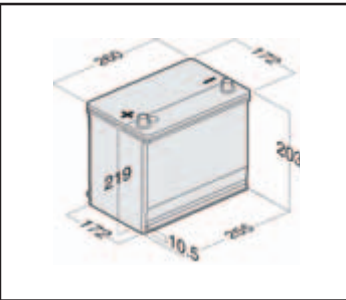


# Electricals

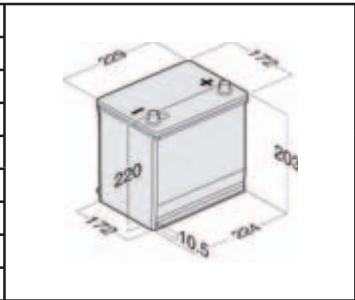


## Battery

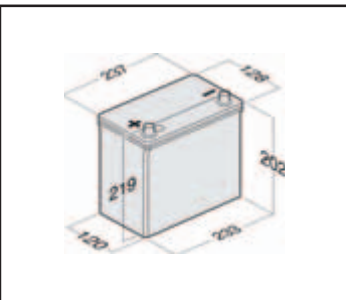
CATALOG REF 31500 SP0 020HE	
Ah	70
RES CAP MIN	125
<b>CCA EN - 18° C</b>	<b>600</b>
CCA BCI - 18° C	500
CCA IEC - 18° C	275
CCA DIN - 18° C	250
LOAD TEST AMPS	250
WEIGHT KG	17.65



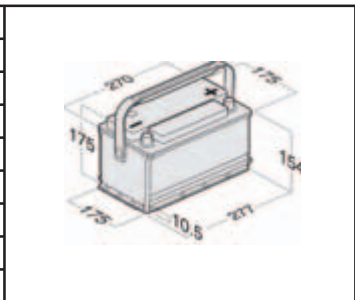
CATALOG REF 31500 SV2 000HE	
Ah	65
RES CAP MIN	110
<b>CCA EN - 18° C</b>	<b>480</b>
CCA BCI - 18° C	525
CCA IEC - 18° C	280
CCA DIN - 18° C	250
LOAD TEST AMPS	260
WEIGHT KG	16.40



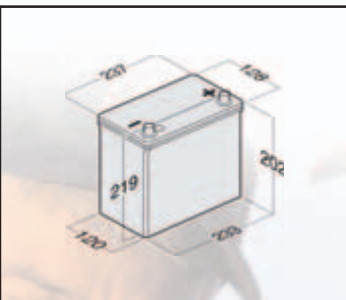
CATALOG REF 31500 ST3 000HE	
Ah	45
RES CAP MIN	75
<b>CCA EN - 18° C</b>	<b>420</b>
CCA BCI - 18° C	450
CCA IEC - 18° C	250
CCA DIN - 18° C	210
LOAD TEST AMPS	220
WEIGHT KG	12.40



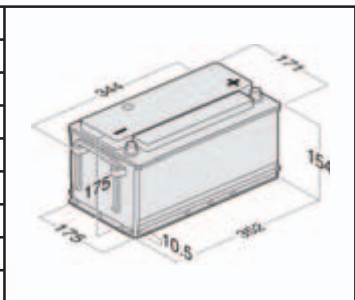
CATALOG REF 31500 ZW0 000HE	
Ah	70
RES CAP MIN	120
<b>CCA EN - 18° C</b>	<b>640</b>
CCA BCI - 18° C	625
CCA IEC - 18° C	420
CCA DIN - 18° C	370
LOAD TEST AMPS	310
WEIGHT KG	16.85



CATALOG REF 31500 ST3 100HE	
Ah	45
RES CAP MIN	75
<b>CCA EN - 18° C</b>	<b>420</b>
CCA BCI - 18° C	450
CCA IEC - 18° C	250
CCA DIN - 18° C	210
LOAD TEST AMPS	220
WEIGHT KG	12.40



CATALOG REF 31500 ZW5 000HE	
Ah	90
RES CAP MIN	180
<b>CCA EN - 18° C</b>	<b>800</b>
CCA BCI - 18° C	770
CCA IEC - 18° C	500
CCA DIN - 18° C	450
LOAD TEST AMPS	380
WEIGHT KG	23.70



# Electricals



## Notes

A series of horizontal dotted lines for taking notes, spanning the width of the page.

